



Project _____

Item # _____

Quantity _____

Electric Rotating Waffle Makers

Models: KWMSL-2LG413, -4BR46

Hatco®/Krampouz® KWMSL 180° Electric Rotating Waffle Makers produce excellent-quality waffles for commercial kitchens and display cooking locations. The adjustable temperature control enables operators to prepare waffles of consistent quality from a variety of different batters or doughs. Exclusive, removable top and bottom heating element packs provide exceptional heat distribution over the entire waffle plate surface. The Waffle Makers' Easy Clean System® provides quick removal and easy cleaning of the waffle plates.

Standard features

- KWMSL models feature a 180° swivel system that rotates the waffle plates
- Designed for cooking waffles from batter or dough, as well as reheating pre-cooked waffles
- Available with Liège or Brussels rectangle cast iron waffle plates
- Stainless steel frame, with a cast iron griddle, is designed for quality and durability
- Innovative Easy Clean System® allows for instant removal of the waffle plates, providing ease of maintenance and increased reliability
- Adjustable Thermostatic Control(s) with a range from 120°F – 570°F (50°C – 300°C) allows for precise temperature control
- Also comes with a power indicator, a heating indicator, a removable drip tray and a 6' (1829 mm) cord and plug

KWMSL-2LG413
Use dough to create Liège Waffles in their traditional size. A Belgian specialty creates two caramelised rustic waffles at a time.

easy clean System



KWMSL-4BR46
Use batter to create Brussels (or fairground) Waffles. Produces four uniform 4x6" waffles that are light on the inside and crispy on the outside.

Accessories

- Waffle Pick - Metal Forks with Plastic Handle (code WAFLPICK)



 For operation, location and safety information, please refer to the Installation and Operating Manual.



HATCO CORPORATION | P.O. Box 340500 Milwaukee, WI 53234-0500 U.S.A. | (800) 558-0607 | (414) 671-6350

 www.hatcocorp.com | support@hatcocorp.com | [Find a Hatco Rep](#) | [Image Library](#) | [Document Library](#) | [Patents](#) | [Chat](#)



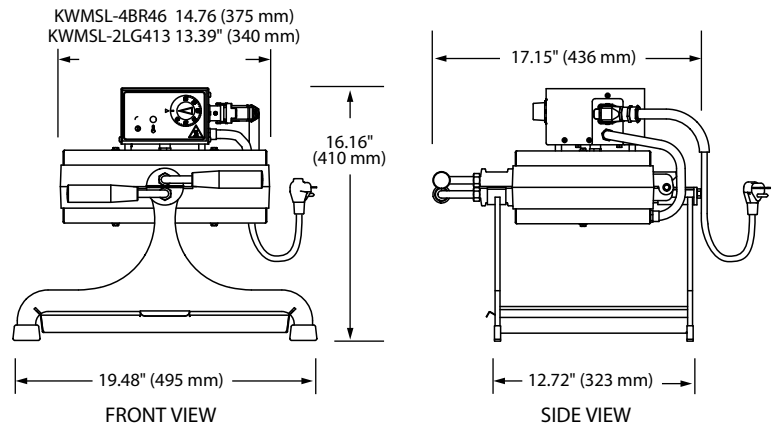
Electric Rotating Waffle Makers

Models: KWMSL-2LG413, -4BR46

KWMSL SERIES

90° HINGE, DUAL HEAD ROTATING WAFFLE MAKERS

These models have a swivel system that rotates the waffle plate 180° and is equipped with a detachable 6" (1829 mm) cord and plug. This style of waffle maker is designed for cooking waffles from batter/dough.



SPECIFICATIONS

90° Hinge, Dual Head Rotating Waffle Makers

Model	Item No.	Description	Dimensions (W x D x H)	Voltage	Watts	Amps	Plug	Ship Weight*
KWMSL-2LG413	KWMSL.2LG413620	180°, Rotating, Liege	19.48" x 17.15" x 16.16" (495 x 436 x 410 mm)	208-240 [©]	1953-2600	9.4-11.3	NEMA 6-20P	68 lbs. (31 kg)
KWMSL-4BR46	KWMSL.4BR46620	180°, Rotating, Brussels	19.48" x 17.15" x 16.16" (495 x 436 x 410 mm)	208-240 [©]	1953-2600	9.4-11.3	NEMA 6-20P	68 lbs. (31 kg)

* Shipping weight includes packaging.

[©] Unit is designed to operate on supply voltages between 208V and 240V.

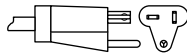
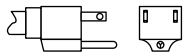
CORD LOCATION

Facing controls, upper right side of unit. Detachable.

PLUG CONFIGURATIONS

NEMA 5-15P

NEMA 6-20P



PRODUCT SPECS

Rotating Waffle Makers

The 180° Rotating Waffle Makers shall be Model ... as distributed by the Hatco Corporation, Milwaukee, WI 53234 U.S.A.

The 180° Rotating Waffle Makers shall be rated at ... watts, ... volts, and be ... inches (millimeters) in overall width.

It shall consist of stainless steel frame and cast iron waffle plates. 180° Rotating Waffle Makers feature removable cast iron waffle plates for either Brussels (Belgian)

or Liège- style bubble waffles. The 180° Waffle Makers' Easy Clean System provides quick removal and easy cleaning of the waffle plates. Also, an adjustable Temperature Control(s), a power indicator and a removable drip tray. All units are equipped with a factory attached 6' (1829 mm) power cord and plug.

Accessories shall include a waffle pick.

Warranty consists of 24/7 parts and service assistance (US and Canada only).

HATCO CORPORATION | P.O. Box 340500 Milwaukee, WI 53234-0500 U.S.A. | (800) 558-0607 | (414) 671-6350



www.hatcocorp.com | support@hatcocorp.com | [Find a Hatco Rep](#) | [Image Library](#) | [Document Library](#) | [Patents](#) | [Chat](#)